

The material receivers of the TMM series, completely made of stainless steel, were designed to be used in centralized feeding systems MATRIX 4.0.

There are 8 models from 2 dm<sup>3</sup> to 100dm<sup>3</sup>.



The material receivers of the TMX series, with a Pyrex-glass body, were designed to be used in centralized feeding systems MATRIX 4.0.

There are 3 models from 4 dm<sup>3</sup> to 25dm<sup>3</sup>.



## TECHNICAL CHARACTERISTICS

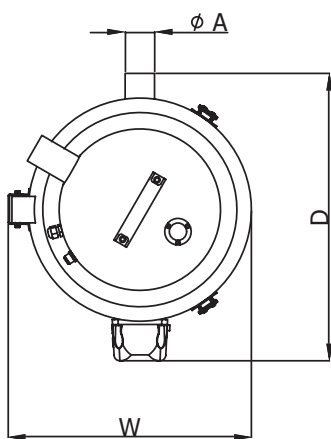
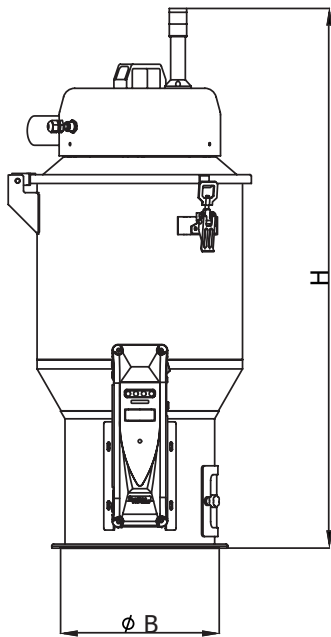
- Stainless steel structure.
- Hinged cover.
- High-vacuum operation.
- Automatic filter cleaning.
- Flap-type outlet valve and wear-resistant gasket.
- Air vent with door and integrated metal filter.
- ETHERNET connection

## ACCESSORIES:

- Pneumatic discharge.
- Proportioning valve.
- It can be integrated with MWS weighing system.

## ADDED VALUE:

- Easy to use.
- Easy cleaning and maintenance.
- Safe and reliable.
- Fast installation with a 360° orientation.
- Status indicator.



TMM containers



TMX containers

## Technical data

	Unit of measure	TMM2	TMM4	TMX4	TMM5	TMX8	TMM10	TMM25	TMX25	TMM50	TMM100
Capacity	dm <sup>3</sup>	2	4	4	5	8	10	25	25	50	100
Centre-to-centre distance B	mm	210	210	210	280	210	280	280	280	280	280
Material inlet diameter A	mm	40/50	40/50	40/50	40/50	40/50	40/50	50/60	60	60/70	60/70/90
Dimensions	W	270	270	270	340	270	340	415	355	415	570
	D	360	360	345	410	345	410	490	440	490	550
	H	545	625	685	650	810	753	915	965	1085	1220
Weight	kg	7	8	8	10	11	12	15	15	17	30